

## Upower 140

Bore x Stroke

56x57,5mm

valves clearance

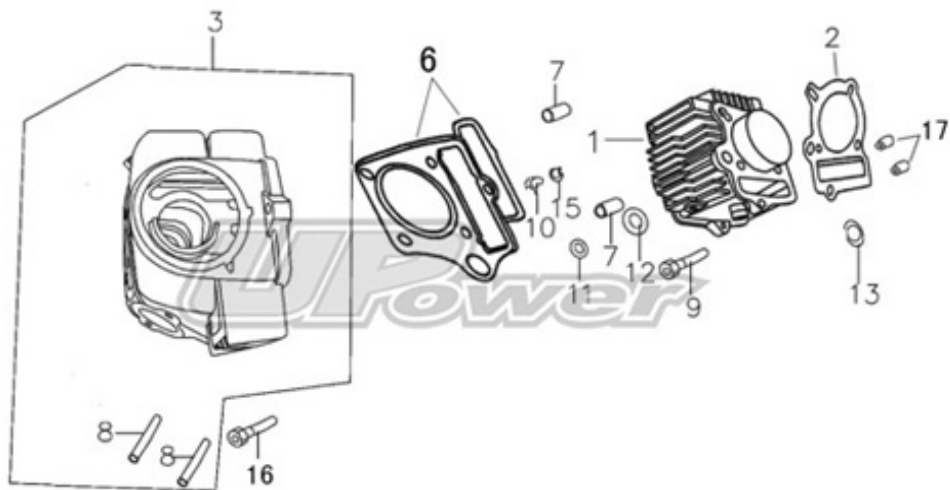
0,05 /0,05 mm



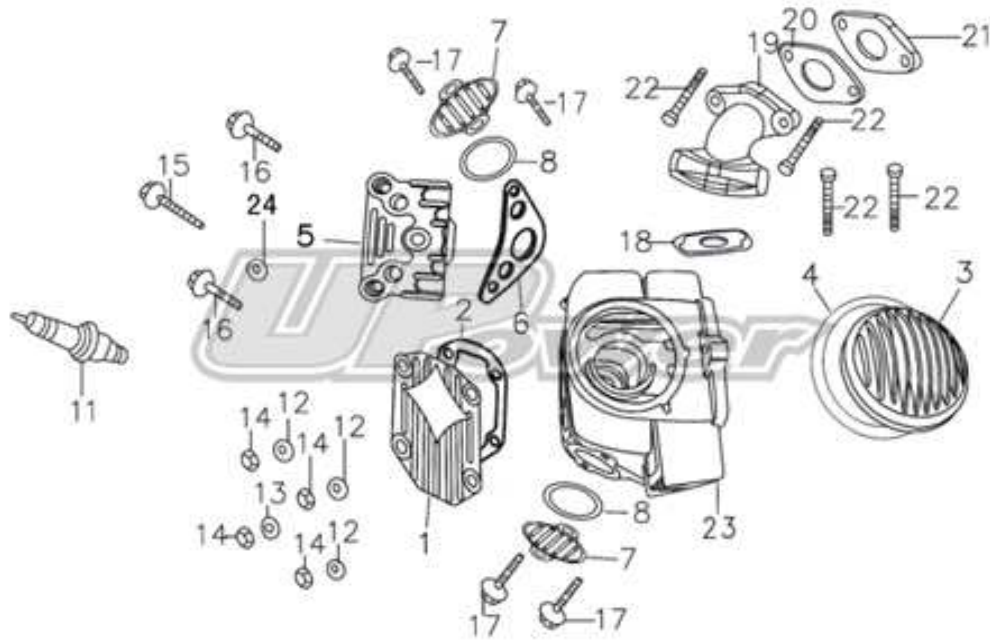
**DO NOT  
COPY**

E-1

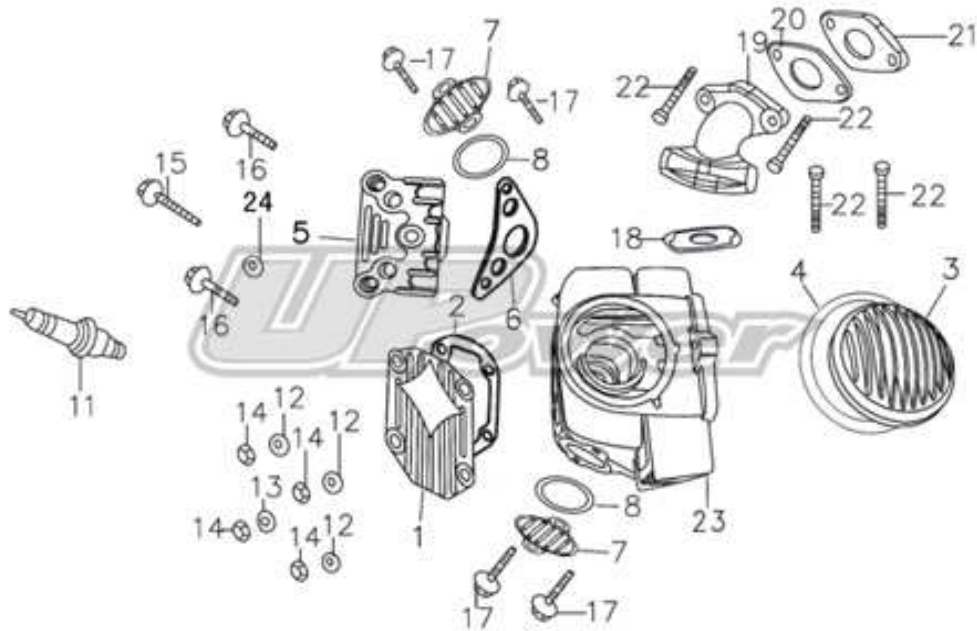
## CYLINDER ASSY



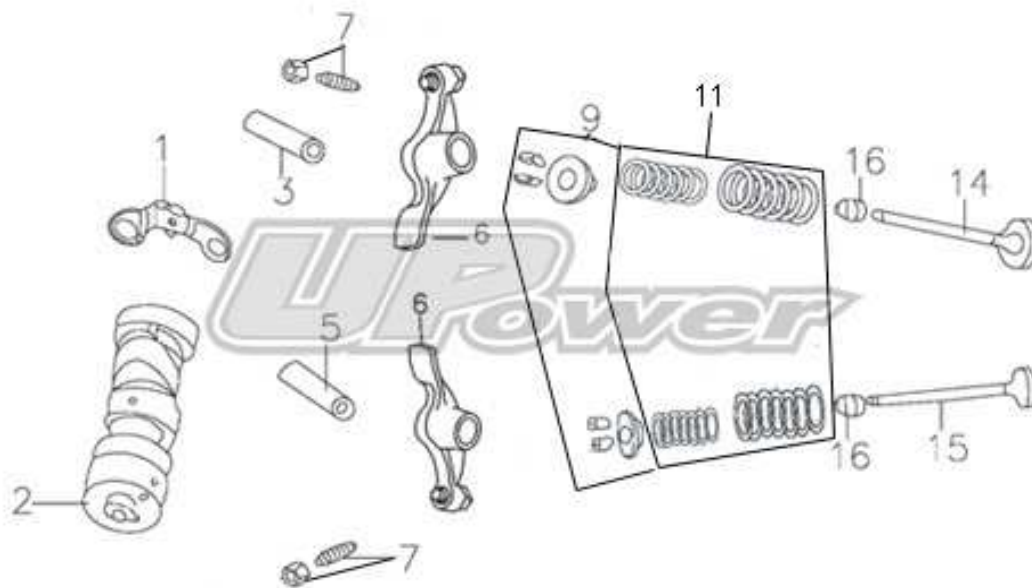
Ref.No.	UPower No.	Description	Qty	Remark
1	2373	CYLINDER BODY	1	56mm bore
2	198	CYLINDER BASE GASKET	1	0,40 thickness
3	2614	CYLINDER HEAD ASSY	1	with valves, camshaft, rockers
3	2485	CYLINDER HEAD	1	
6	1002	CYLINDER HEAD GASKET	1	1mm thickness
7	728	ASSEMBLING PIN 8×14	2	
8	3516	BOLT M6 x 38	2	
9	2710	BOLT M6 x 30	1	
10	ask us		1	
11	ask us		1	
12	182	RECTANGLE HEAD RING SEAL GASKET	1	
13	189	RECTANGLE BASE RING SEAL GASKET	1	
15	ask us		1	
16	3213	BOLT M6x25	1	
17	728	ASSEMBLING PIN 8×12	2	



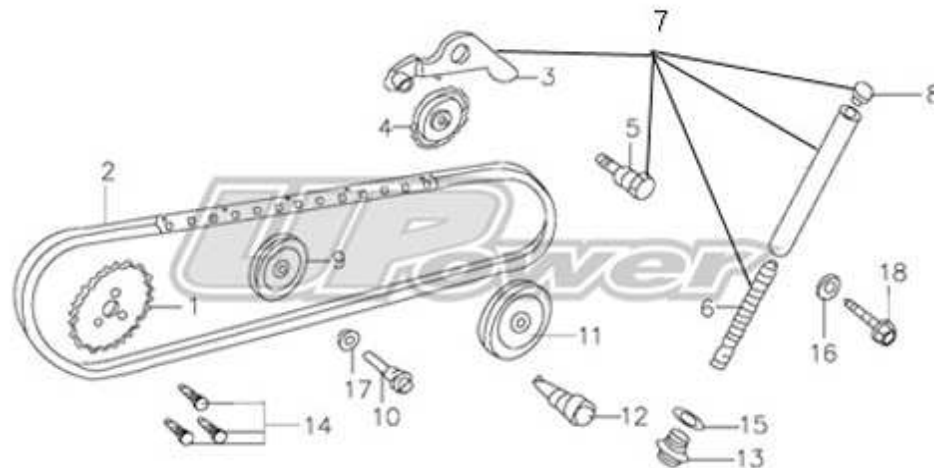
Ref.No.	UPower No.	Description	Qty	Remark
1	879	CYLINDER HEAD TOP COVER	1	
2	2788	CYLINDER HEAD TOP COVER GASKET	1	
3	880	CYLINDER HEAD LEFT COVER	1	
4	1883	CYLINDER HEAD LEFT COVER GASKET	1	
5	1098	CYLINDER HEAD RIGHT COVER	1	
6	2784	CYLINDER HEAD RIGHT COVER GASKET	1	
7	1306	VALVE ADJUSTER COVER	2	
8	2198	VALVE ADJUSTER COVER O RING	2	
11	468	NGK SPARKING CR7HSA	1	low charge, cold weather
11	6	NGK SPARKING CR8HSA	1	high charge, hot weather
12	ask us	STEEL WASHER	3	
13	ask us	COPER WASHER	1	lower right side
14	ask us	NUT	4	screw torque 1,2 m.kg
15	826	BOLT M6x110	1	



Ref.No.	UPower No.	Description	Qty	Remark
16	3213	BOLT M6 x 25	2	
17	3878	BOLT M6 x 16	4	
18	1017	INTAKE GASKET	1	
19	2128	INTAKE PIPE	1	
20	2609	PIPE GASKET	1	
21	2459	HEAT REDUCER	1	
22	2710	BOLT M6x30	4	
23	2485	CYLINDER HEAD	1	
24	ask us	ALUMINIUM WASHER 6	1	
23 bis	2614	CYLINDER HEAD ASSEMBLY	1	with valves, camshaft, rockers
20+21	2459	ISOTHERMAL JOIN HEAD TO PIPE SET	1	

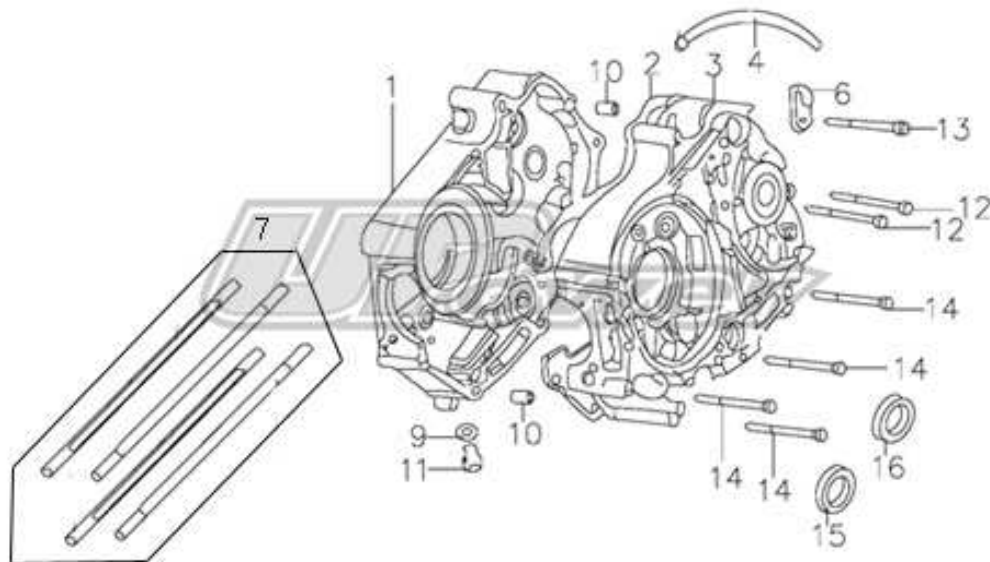


Ref.No.	UPower No.	Description	Qty	Remark
2	2087	CAMSHAFT	1	
2	3543	CAMSHAFT UPOWER	1	
3	2306	INTAKE ROCKERARM SHAFT	1	
5	2306	EXHAUST ROCKERARM SHAFT	1	
6	2298	ROCKER ARM	2	provided with screw and nut
7	2311	VALVE ADJUSTING SCREW WITH NUT	2	
9	824	VALVE RETAINER SET	2	
11	823	SPRING VALVE SET	2	
14	503	INTAKE VALVE	1	
15	501	EXHAUST VALVE	1	
16	302	VALVE STEM SEAL	2	



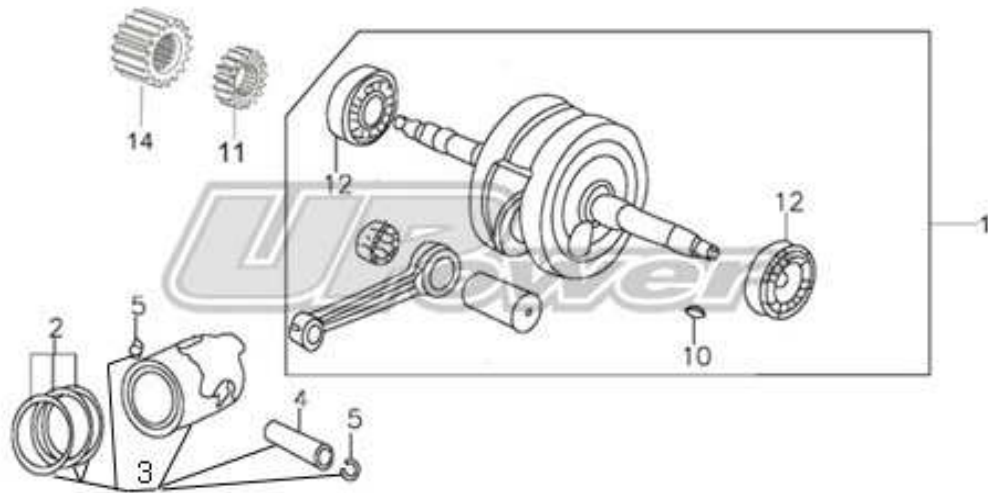
**DO NOT  
COPY**

Ref.No.	UPower No.	Description	Qty	Remark
1	<b>2834</b>	TIMING CAMSHAFT SPROCKET	1	
2	<b>536</b>	TIMING CAMSHAFT CHAIN	1	
3	ask us	CHAIN TENSIONER ARM	1	
4	<b>659</b>	CHAIN TENSIONER ROLLER	1	
5	ask us	CHAIN TENSIONER ARM SCREW	1	
6	ask us	CHAIN TENSIONER SPRING SET	1	
7	<b>3821</b>	CHAIN TENSIONER STUD SUBASSEMBLY	1	
8	ask us	CHAIN TENSIONER STUD CAP	1	
9	<b>2518</b>	CYLINDER CAMSHAFT CHAIN ROLLER	1	
10	ask us	CYLINDER CAMSHAFT CHAIN ROLLER SCREW	1	
11	<b>2843</b>	LOWER CAMSHAFT CHAIN ROLLER	1	
12	ask us	LOWER CAMSHAFT CHAIN ROLLER SCREW	1	
13	ask us	TENSIONER BOLT	1	
14	<b>2844</b>	BOLT M5x12 SET	1	
15	<b>430</b>	ALUMINIUM WASHER 14	1	
16	ask us	WASHER 6	1	
17	ask us	ALUMINIUM WASHER 8	1	
18	ask us	BOLT M6	1	



Ref.No.	UPower No.	Description	Qty	Remark
1	2613	RIGHT CRANKCASE	1	for needle bearing since june 2010
2	3663	CRANKCASE GASKET	1	
3	2642	LEFT CRANKCASE	1	
4	ask us	BREATHING TUBE	1	
5	ask us		1	
6	ask us		1	
7	3840	CYLINDER STUD SET	1	
9	430	DRAIN WASHER	1	
10	3226	ASSEMBLING PIN 10x14	2	
11	2665	DRAIN BOLT ALLOY	1	
11	3665	DRAIN BOLT STEEL	1	
12	ask us	BOLT M6	2	
13	ask us	BOLT M6	1	
14	ask us	BOLT M6	4	
15	212	GEAR SHIFT SHAFT OIL SEAL 11,6x24x10	1	
16	233	COUNTERSHAFT OIL SEAL 17x29x5	1	

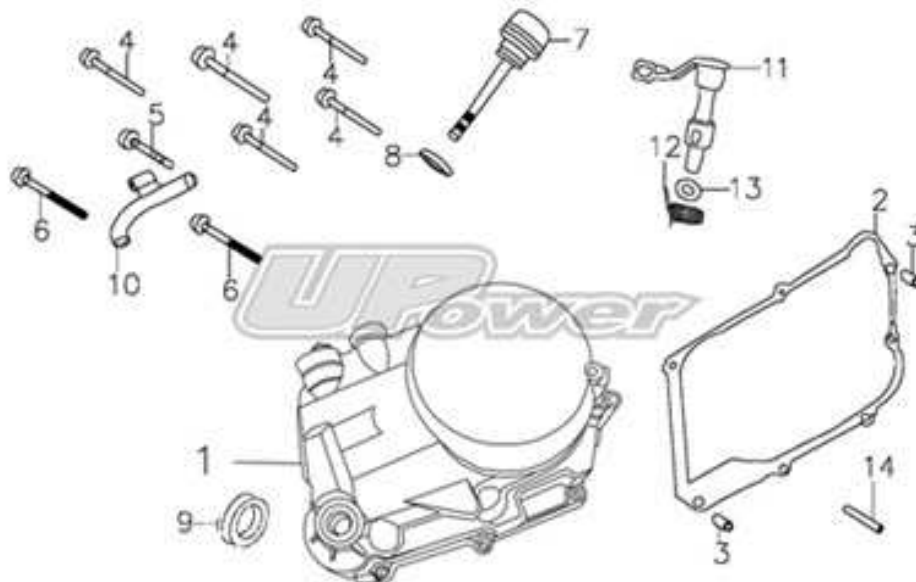
## CRANKSHAFT



Ref.No.	UPower No.	Description	Qty	Remark
1	2369	CRANKSHAFT	1	
2	1080	PISTON RING SET	1	
3	406	PISTON SET	1	56mm
4	219	PISTON PIN	1	13mm
5	222	PISTON PIN CLIP	2	
10	1538	SEMICIRCULAR KEY	1	
11	ask us	OIL PUMP DRIVER GEAR	1	
12	2961	BEARING 6304	2	
14	1891	PRIMARY DRIVER GEAR	1	



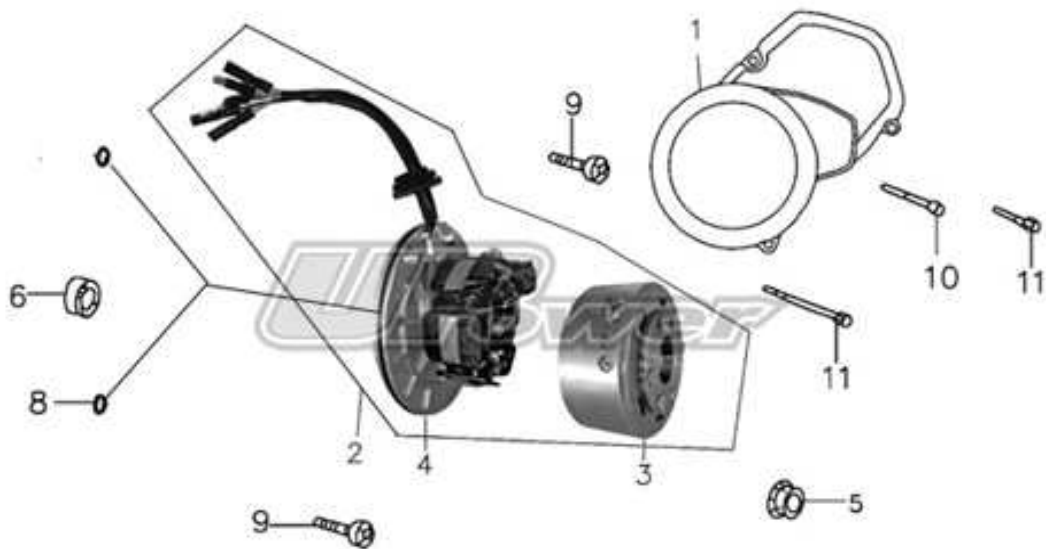
## CRANKCASE COVER



**DO NOT  
COPY**

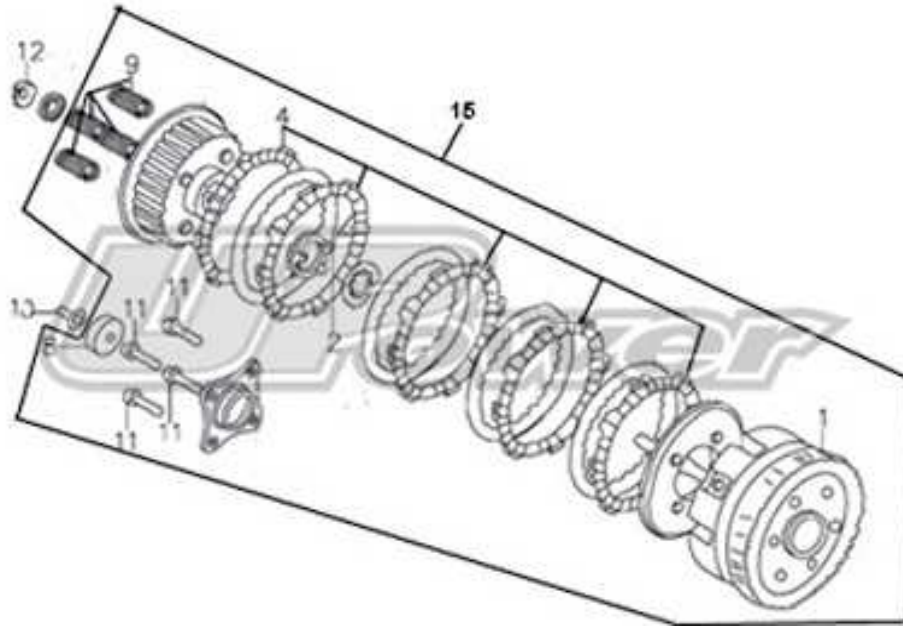
Ref.No.	UPower No.	Description	Qty	Remark
1	ask us	RIGHT CRANKCASE COVER	1	
2	3174	RIGHT CRANKCASE GASKET	1	
3	728	PITCHED PIN	2	
4	ask us	BOLT	5	
5	ask us	BOLT	1	
6	ask us	BOLT	2	
7	ask us	OIL GAUGE	1	
8	ask us	O-RING	1	
9	213	OIL SEAL 13,7x24x5	1	
10	ask us	CLUTCH CABLE CLIP	1	
11	ask us	CLUTCH CONTROL LEVER	1	
12	ask us	CONTROL LEVER RETURN SPRING	1	
13	1330	OIL SEAL 12x18x5	1	
14	ask us	OIL PIPE	1	

## Left Crankcase Cover &amp; Magneto



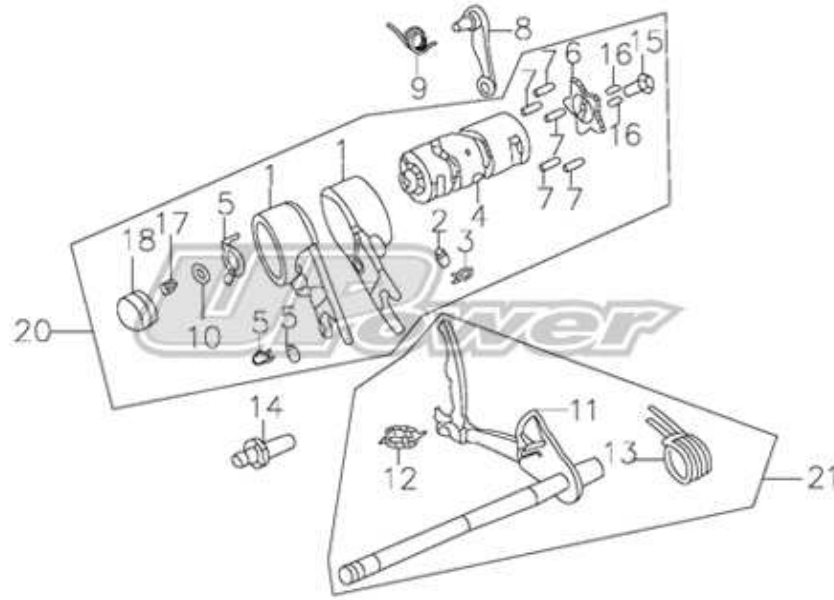
Ref.No.	UPower No.	Description	Qty	Remark
1	2829	LEFT COVER	1	
2	2506	MAGNETO ASSEMBLY WITH LIGHT OUTPUT	1	for MX use
2	2469	MAGNETO ASSEMBLY WITHOUT LIGHT OUTPUT	1	for road use
3	2714	FLYWHEEL	1	
4	2827	STATOR ASSEMBLY WITH LIGHT OUTPUT	1	for road use
4	2412	STATOR ASSEMBLY WITHOUT LIGHT OUTPUT	1	for MX use
5	2483	HEX FLYWHEEL NUT	1	
6	175	OIL SEAL 18,9x30x5	1	
8	176	O-RING STATOR SET	1	2x 6,5x1,8+ 1x106,8x2mm
9	ask us	BOLT M6	2	
10	ask us	BOLT M6	1	
11	ask us	BOLT M6	2	

## CLUTCH COMPONENT PART

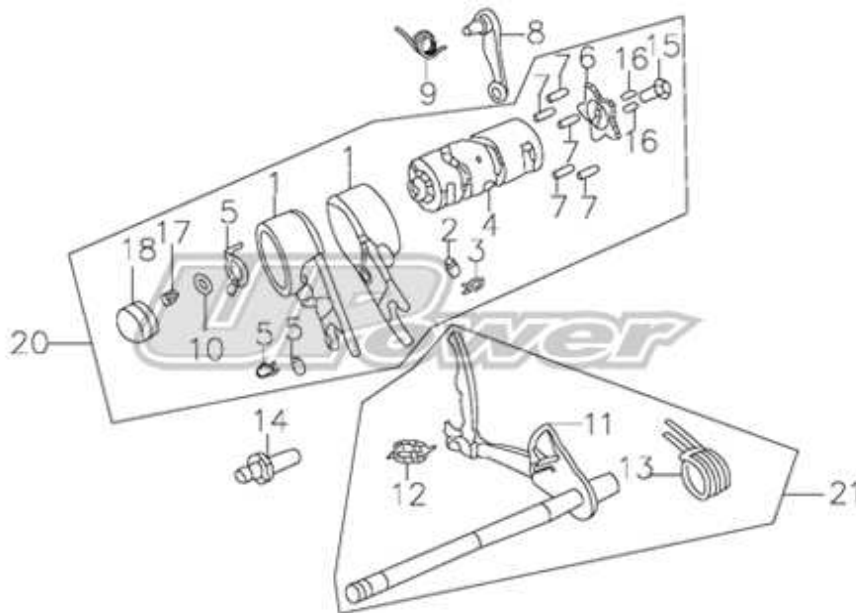


**DO NOT  
COPY**

Ref.No.	UPower No.	Description	Qty	Remark
1	756	CLUTCH BASKET	1	
2	808	WASHER TEETHED	1	
3	ask us	CENTRE OF CLUTCH COVER	1	
4	3636	CLUTCH FRICTION DISK SET	1	
8	1887	BEARING 6000	1	
9	1938	CLUTCH SPRING SET	1	
10	631	CLUTCH PUSH ROD	1	
11	2852	BOLT M6x20	4	
12	795	CLUTCH NUT M14x1	1	
14	1887	SHAFT WASHER SET	1	
15	2269	CLUTCH SET ASSEMBLY	1	



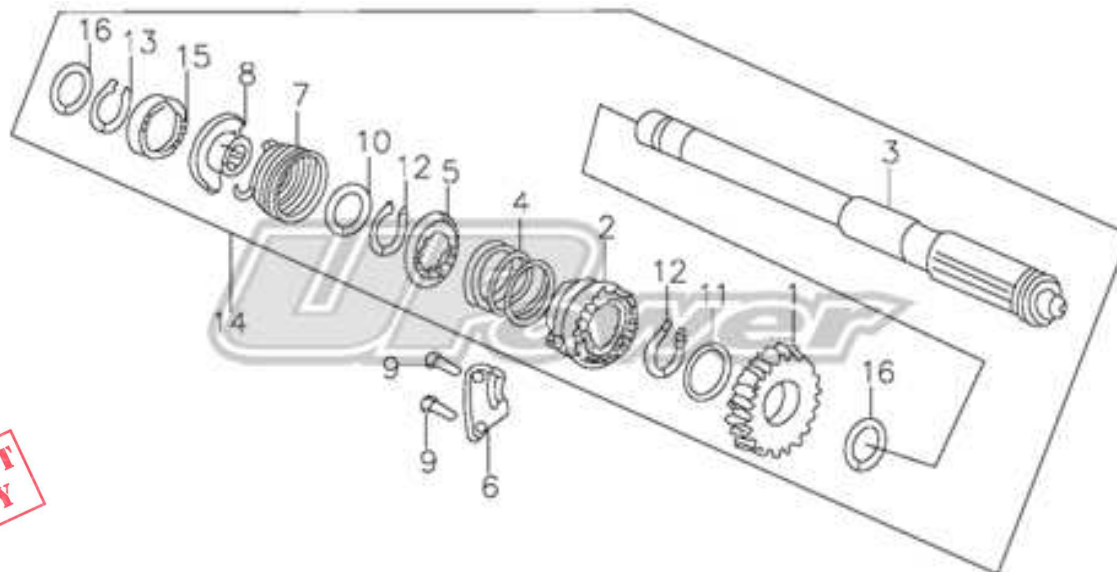
Ref.No.	UPower No.	Description	Qty	Remark
1	1469	GEAR SHIFT FORK	2	
2	ask us	GUIDE PIN	1	
3	ask us	SPRING CLIP	1	
4	ask us	SHIFTING DRUM	1	
5	ask us	NEUTRAL GEAR SWITCH CONTACT	1	
6	ask us	SPEED VARIATOR STRONGBACSTRONGBACK PIN	1	
7	ask us	STRONGBACK PIN BOLT	5	
8	ask us	SPEED VARIATOR STRONGBACK SUBASSEMBLY	1	
9	ask us	STRONGBACK SPRING	1	
10	ask us	WASHER	1	
11	ask us	GEAR SHIFT SHAFT SUBASSEMBLY	1	
12	ask us	SPRING	1	
13	ask us	RETURN SPRING	1	
14	ask us	ASSEMBLING SPING	1	
15	ask us	BOLT WITH SALVER	1	
16	ask us	ASSEMBLING PIN	2	



**DO NOT COPY**

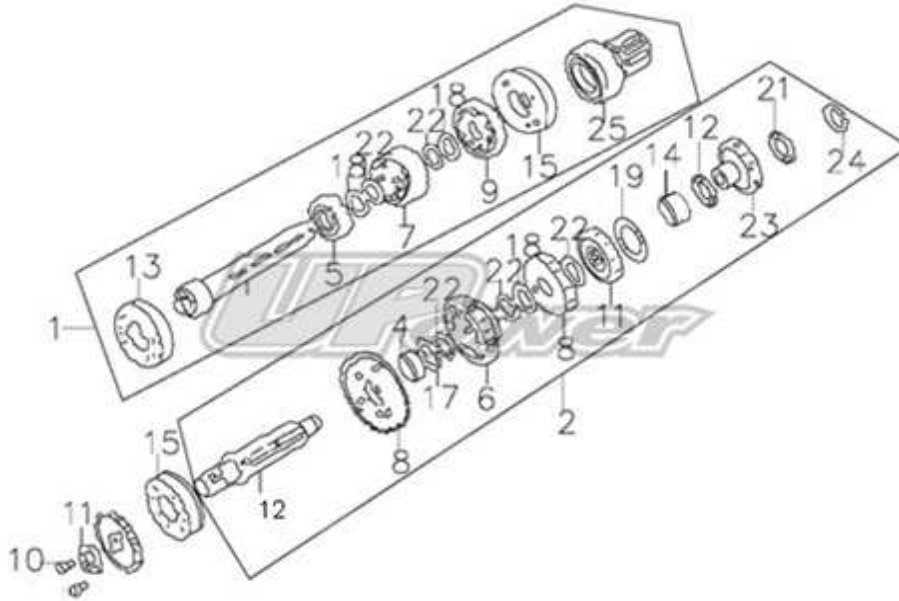
Ref.No.	UPower No.	Description	Qty	Remark
17	ask us	SWITCH PRESSBOARD	1	
18	<b>2382</b>	RUBBER CAP	1	
20	<b>2375</b>	SHIFTING YOKE VARIATOR	1	
21	<b>911</b>	SHIFTING SUBASSEMBLY 145mm	1	
21	<b>1301</b>	SHIFTING SUBASSEMBLY 150mm	1	
21	<b>1717</b>	SHIFTING SUBASSEMBLY 157mm	1	

## START SHAFT ASSY



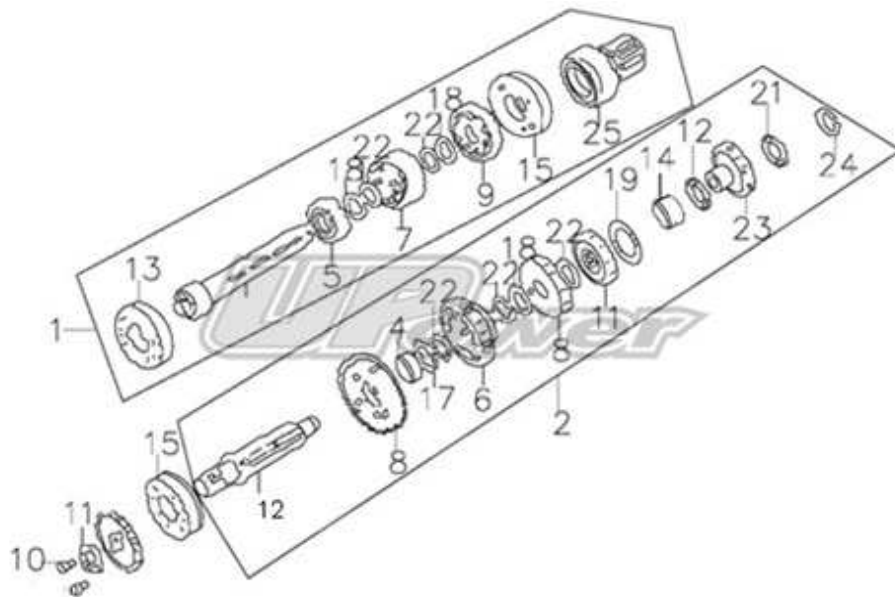
**DO NOT  
COPY**

Ref.No.	UPower No.	Description	Qty	Remark
1	1807	START GEAR	1	
2	ask us	STARTING RATCHET WHEEL	1	
3	ask us	STARTING SHAFT	1	
4	ask us	SPRING	1	
5	ask us	RATCHET WHEEL SPRINGS SUPPORTING	1	
6	ask us	RATCHET WHEEL GUIDE RUNNER	1	
7	ask us	STARTING SHAFT RETURN SPRING	1	
8	ask us	STARTING SHAFT SPRING SUPPORTING	1	
9	ask us	BOLT M6x18	2	
10	ask us	WASHER	1	
11	ask us	WASHER	2	
12	ask us	CLIPS	3	
13	ask us	SHIELD RING	1	
14	3128	STARTING SHAFT ASSEMBLY	1	16mm kick fixing
15	ask us	SPRING COVER	1	
16	ask us	WASHER	2	



Ref.No.	UPower No.	Description	Qty	Remark
1	2165	TRANSMISSION MAIN SHAFT	1	
2	3144	TRANSMISSION COUNTERSHAFT	1	for needle bearing on right side
4	ask us	GEARED SLEEVE	1	
5	ask us	GEAR WHEEL	1	
6	ask us	SPLINE SHAFT DRIVER GEAR	1	
7	ask us	SPLINE SHAFT MAIN DRIVEN GEAR	1	
8	ask us	GEAR WHEEL	1	
9	ask us	GEAR WHEEL	1	
10	2845	SPROCKET FIXING SCREW M6	2	
11	197	SPROCKET FIXING PLATE	1	
12	3408	COUNTERSHAFT	1	for needle bearing right side
13	ask us	BEARING	1	
14	2299	NEEDLE BEARING	1	

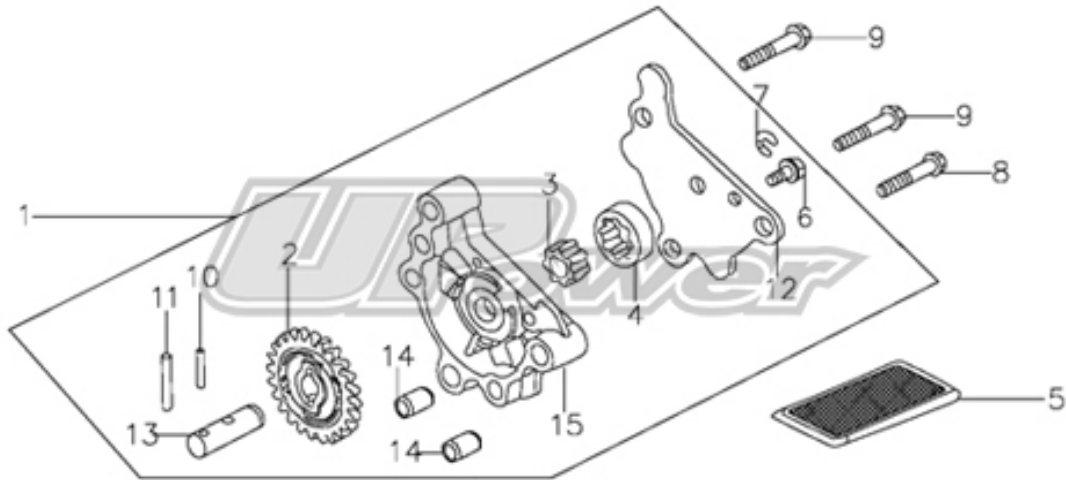
**GEAR BOX ASSEMBLY**



**DO NOT COPY**

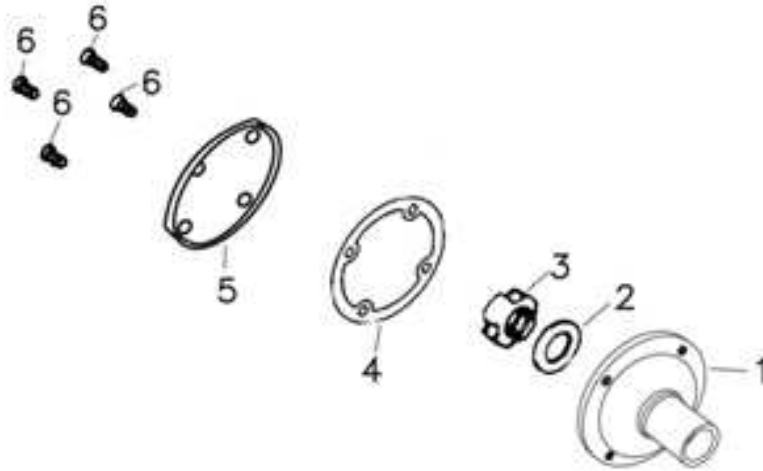
Ref.No.	UPower No.	Description	Qty	Remark
15	<b>1721</b>	BEARING 17x42x12	1	
17	ask us	SPLINE SHAFT WASHER	1	
18	ask us	SPLING SHAFT WASHER	3	
19	ask us	SPLING SHAFT WASHER	2	
21	ask us	SPLING SHAFT WASHER	1	
22	ask us	SHIELD RING	5	
23	<b>2108</b>	START INTERMEDIATE GEAR THICKNESS 14,5MM	1	after 2009
23	<b>3139</b>	START INTERMEDIATE GEAR THICKNESS 17MM	1	2007/2008/2009
24	<b>3666</b>	SHIELD RING	1	
25	<b>1806</b>	KICK CLUTCH GEAR	1	





Ref.No.	UPower No.	Description	Qty	Remark
1	647	OIL PUMP ASSEMBLY	1	
2	ask us	OIL PUMP DRIVER GEAR	1	
3	ask us	OIL PUMP INNER ROTOR	1	
4	ask us	OIL PUMP OUTER ROTOR	1	
5	ask us	OIL FILTER SUBASSEMBLY	1	
6	ask us	PLATE BOLT	1	
7	ask us	SHIELD RING	1	
8	ask us	BOLT WITH SALVER	1	
9	ask us	BOLT WITH SALVER	2	
10	ask us	PIN BEARING	1	
11	ask us	PIN BEARING	1	
12	ask us	OIL PUMP COVER	1	
13	ask us	OIL PUMP AXIS	1	
14	ask us	ASSEMBLING PIN	2	
15	ask us	OIL PUMP BODY	1	

OIL CLEANER



**DO NOT COPY**

Ref.No.	UPower No.	Description	Qty	Remark
1	764	BALANCE WHEEL	1	
2	ask us	WASHER	1	
3	1887	LOCK NUT SET	1	
4	ask us	PAPER WASHER	1	
5	ask us	BALANCE WHEEL COVER	1	
6	ask us	BOLT M5	4	